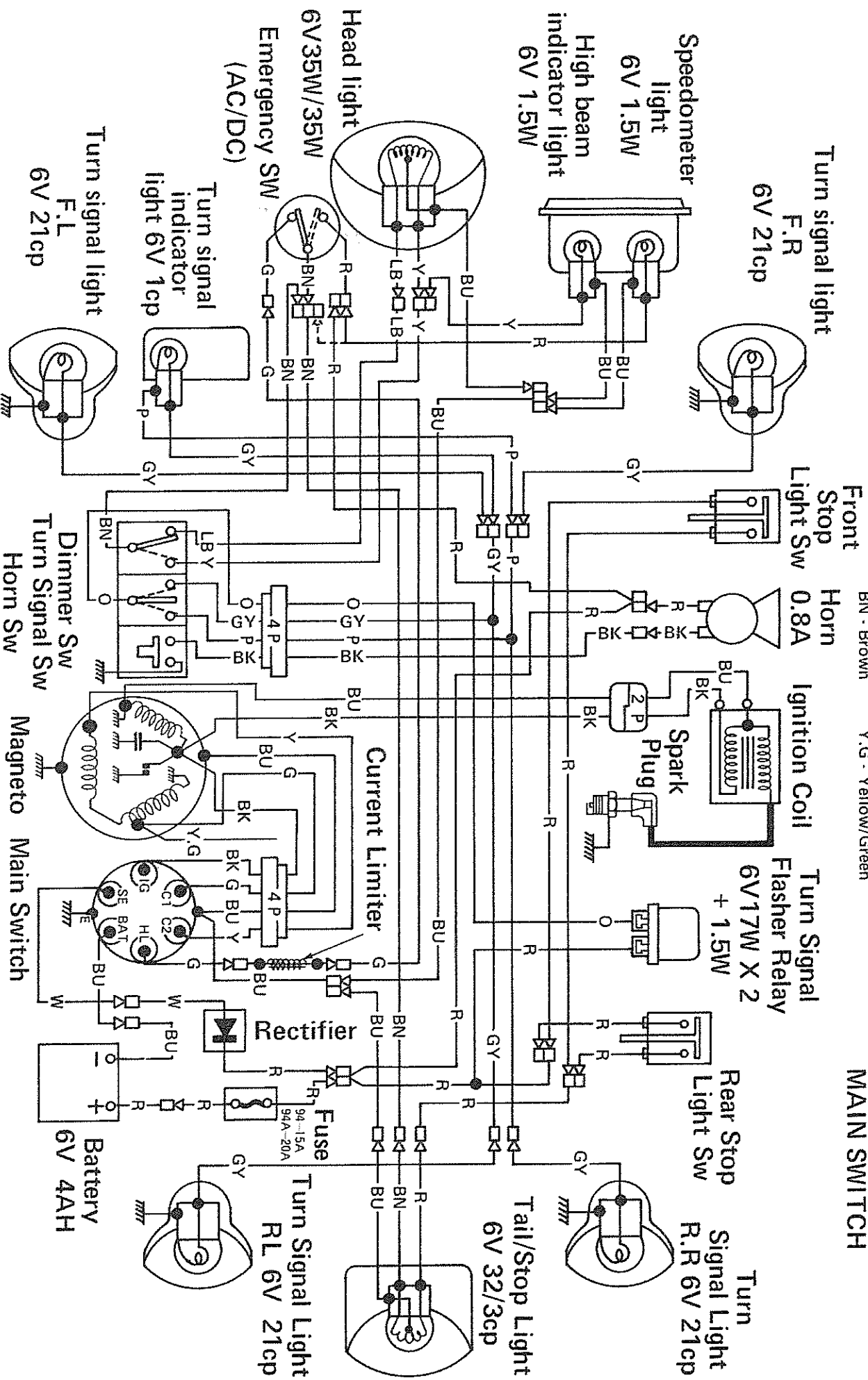


HODAKA 125 WOMBAT WIRING DIAGRAM



- R - Red
- Y - Yellow
- G - Green
- W - White
- BK - Black
- BN - Brown
- LB - Light Blue
- BU - Blue
- O - Orange
- GY - Gray
- P - Pink
- Y.G - Yellow/Green

	IG	E	BAT	C1	SE	C2	HL
OFF	●	●					
DAY			●	●	●		
NIGHT						●	●

MAIN SWITCH